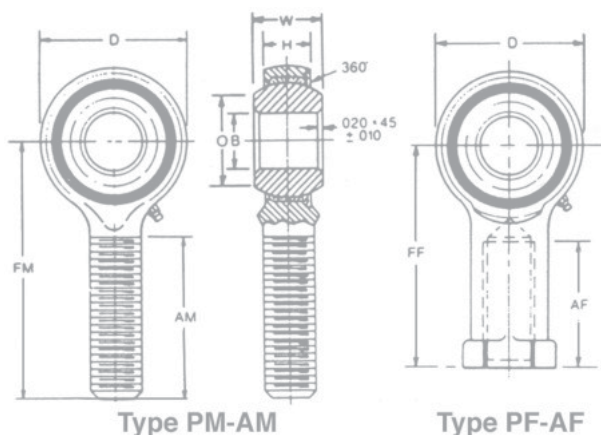
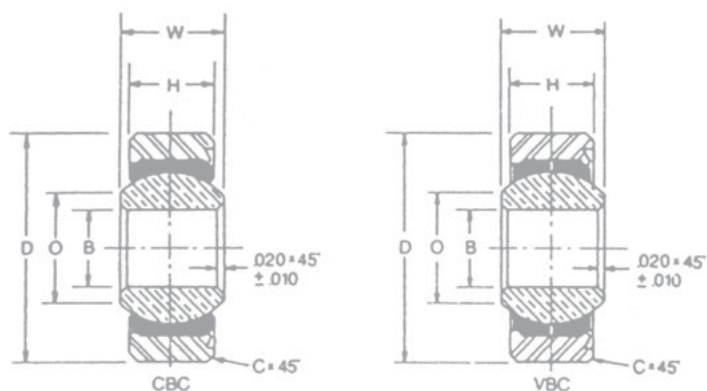


EMBOUTS À ROTULES



SERIE P Bille Acier/Bronze		SERIE A Bille Acier/Acier		DIMENSIONS EN POUCES							Filetage du taraudage Class UNF-2	
Mâle PM	Femelle AM	Mâle AM	Femelle AF	B	W	H	AM	FM	AF	FF		D
PM-3-A	PF-3-A			.1900	.312	.250	.750	.1250	.562	1.062	.750	10-32
PM-4-A	PF-4-A	AM-4-G	AF-4-G	.2500	.375	.281	1.000	1.562	.687	1.312	.750	1/4-28
PM-5-A	PF-5-A	AM-5-G	AF-5-G	.3125	.437	.344	1.250	1.875	.687	1.375	.875	5/16-24
PM-6-A	PF-6-A	AM-6-G	AF-6-G	.3750	.500	.406	1.250	1.938	.875	1.625	1.000	3/8-24
PM-7-A	PF-7-A			.4375	.562	.437	1.375	2.125	1.062	1.812	1.187	7/16-20
PM-8-A	PF-8-A	AM-8-G	AF-8-G	.5000	.625	.500	1.500	2.438	1.125	2.125	1.312	1/2-20
PM-10-A	PF-10-A			.6250	.750	.562	1.625	2.625	1.500	2.500	1.562	5/8-18
PM-12-A	PF-12-A			.7500	.875	.687	1.750	2.875	1.750	2.875	1.750	3/4-16
PM-16-A	PF-16-A			1.000	1.375	1.000	2.125	4.125	2.125	4.125	2.750	1 1/8-12

ROTULES SÉRIE LARGE COTES POUCES



REFERENCE	Précision	B	DIMENSIONS EN POUCES					CHARGE MAXI STATIQUE EN LBS			
			D	H	W	O	C	CBC/CB	Série	Série	
Standard	+ .0000	.1900	.6250	.187	.281	.293	.016	530	4800	1520	
"B" tol.	- .0005	.2500	.7500	.281	.375	.354	.016	935	8400	2900	
+ .0015		.3125	.8750	.313	.437	.447	.016	1365	12300	3900	
- .0005		.3750	1.0000	.375	.500	.516	.016	1875	16800	5400	
Bille haute capacité	Bille bronze	Bille haute capacité	.4375	1.1875	.437	.562	.586	.032	2460	21800	7100
			.5000	1.3125	.500	.625	.700	.044	3120	28100	9300
			.5000	1.3125	.531	.687	.637	.044	3435	30800	9900
			.6250	1.5000	.562	.750	.811	.044	4690	42200	12400
			.6250	1.5625	.687	.875	.802	.044	5470	49200	16300
			.7500	1.8750	.687	.875	1.021	.044	6560	59000	18480

1. PALIERS

2. ROULEMENTS

3. EMBOUTS A ROTULES

4. PRODUITS
D'ACCOMPAGNEMENTS